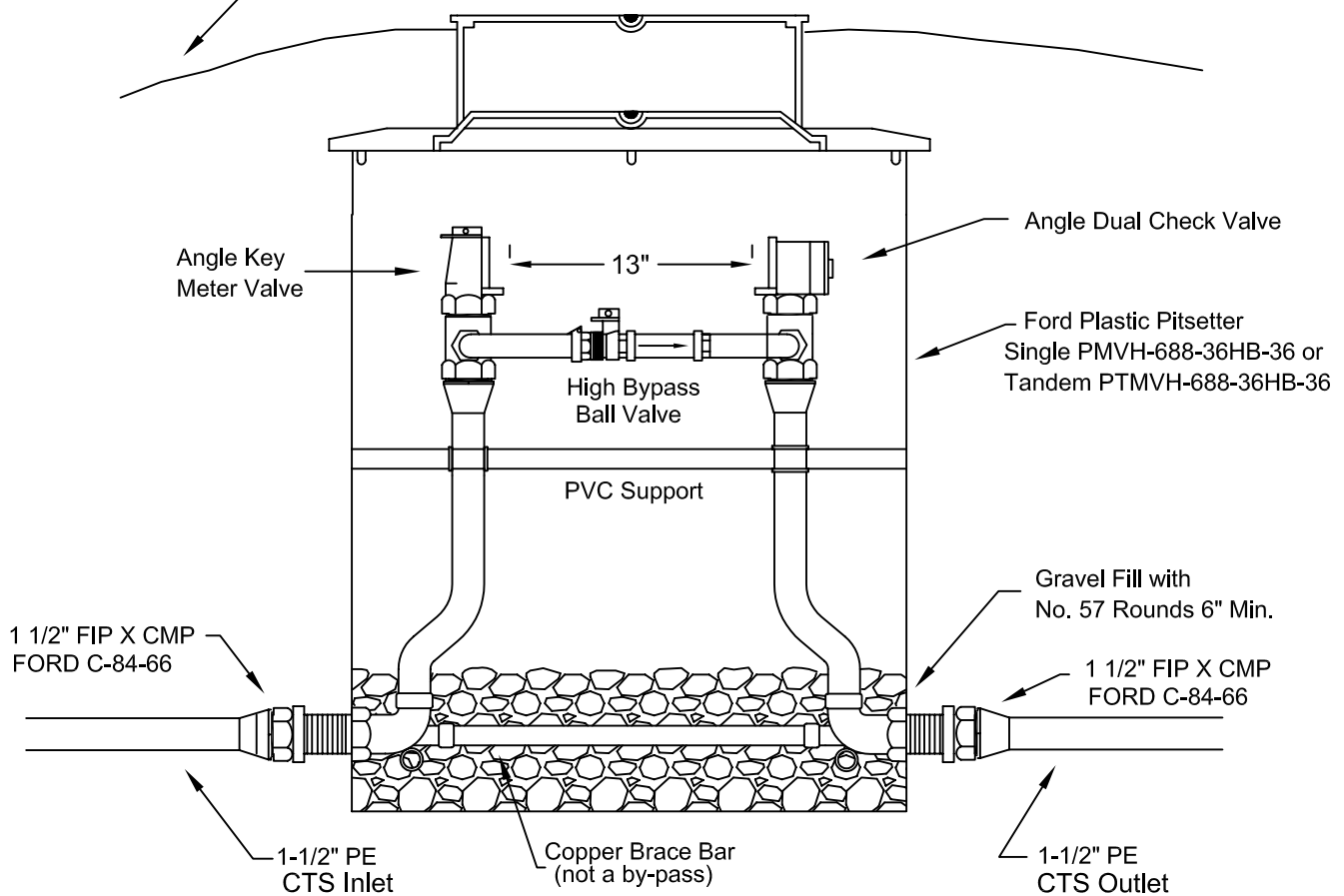


Finished Grade
Slope Away From Lid
at 1 inch per Foot



Earnhart Hill Regional
Water and Sewer District
2030 Stoneridge Dr.
P.O Box 151
Circleville, OH 43113

1-1/2" METER BOX INSTALLATION

Revised
05-01-07

Scale
None

Page 1 of 1

Drawing : D-12C