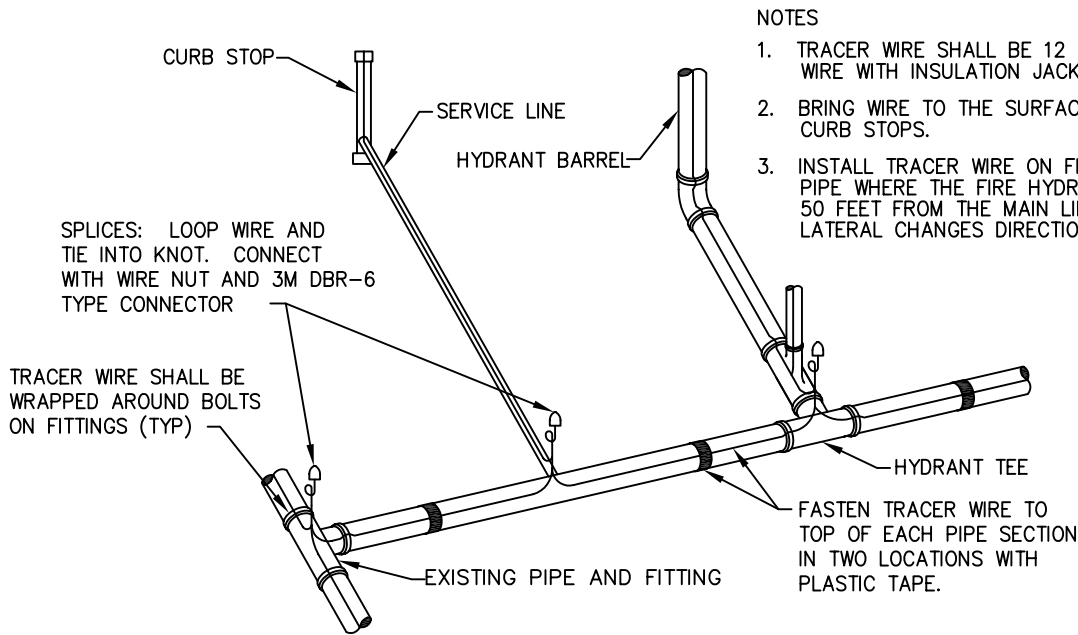


INSTALLATION OF TRACER WIRE AT VALVE
BOXES, CURB STOPS & FIRE HYDRANTS

NTS



NOTES

1. TRACER WIRE SHALL BE 12 GAUGE SOLID COPPER WIRE WITH INSULATION JACKET.
2. BRING WIRE TO THE SURFACE AT ALL VALVES AND CURB STOPS.
3. INSTALL TRACER WIRE ON FIRE HYDRANT LATERAL PIPE WHERE THE FIRE HYDRANT IS MORE THAN 50 FEET FROM THE MAIN LINE, OR WHEN THE LATERAL CHANGES DIRECTION.

TRACER WIRE DETAIL

NTS